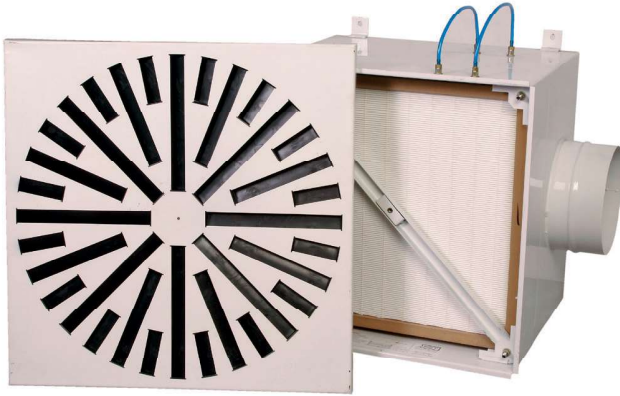


FILTER EQUIPMENT AND ACCESSORIES



HBPY250SDH-0640-0640-0400

Equipment Type Ekipman Tipi	HB	HEPABOX
Metal Type Metal Tipi	P	Electrostatic Painted DKP Metal Elektrostatik Boyalı DKP Metal
Connection Side Hava Giriş Yönü	Y	Side Entrance Yandan Girişli
Air Chimney Hava Bacası	T	Single Tek
Chimney Diameter Baca Çapı	250	250 mm
Air Distributor Type Hava Dağıtıcı Tipi	SD	Swirl Diffuser Swirl Difüzör
Absolute Filter Hepa Filtre	H	Yes Evet
Case Size Kasa Ölçüsü		0640-0640-0400

Filter CODE Structure
Filtre KOD Yapısı

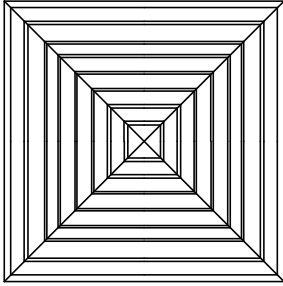
Uygulamalar

Hepa terminal filter boxes are air outlets with built-in particulate filters provides for filtration and distribution of air. separation of germs , viuses and dust particles takes place right before the air entry into the room immediately after the air distribution element Thus risks and disadvantages of central filtration system such as cross contamination through ventilation ducts are eliminated

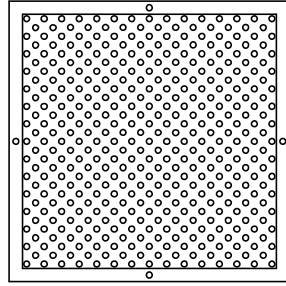
Ceiling hoods are used in ;
Pharmaceutical , Hospital , Laboratories , Electronics, Food processing industries requiring a very high degree of clean air
They are designed for use in laminar ow clean rooms
The hoods are typically installed in on inverted T-bar grid suspended from the ceiling
When unit reaches its maximum recommended resistance ,hepa filter is discarded

Uygulamalar

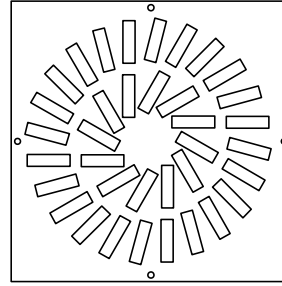
Hepa terminal filtre kutuları içine yerleştirilen partikül filtreli hava çıkışlarıdır Hava filtreleme ve dağıtımını sağlar.
Hava girişinden hemen önce mikropların, kirlerin ve toz partiküllerinin ayrılması gerçekleşir. Hava, dağıtım elemanından hemen sonra odaya girer Böylece merkezi filtreleme sisteminin havalandırma kanalları içerisindeki çapraz buluşma gibi riskleri ve dezavantajları ortadan kalkar Tavan davlumbazları; ilaç, Hastane, Laboratuvarlar, Elektronik, Gıda işleme çok yüksek temiz havayı gerektiren endüstriler Laminer akışlı temiz odalarda kullanılmak üzere tasarlanmıştır. Davlumbazlar tipik olarak tavandan asılı T-çubuk ızgara üzerine monte edilir Ünite azami önerilen direncine ulaştığında, hepa filtre atılır



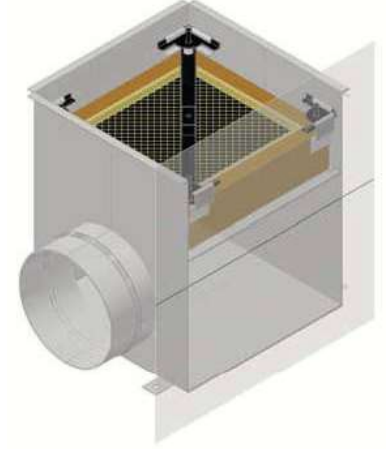
AN



AD



SD



Code	Material Type	Hepa Box Size mm W x L x D	Filter Size mm W x L x D	Weight kg
HBPYT150SDH-0335-0335-400	Electrostatic Painted DKP Metal	0335-0335-400	0305-0305-069 / 078	9.00
HBPYT150SDH-0335-0640-400		0335-0640-400	0305-0610-069 / 078	13.50
HBPYT150SDH-0485-0485-400		0485-0485-400	0457-0457-069 / 078	14.00
HBPYT150SDH-0640-0640-400		0640-0640-400	0610-0610-069 / 078	20.00

Code	Material Type	Hepa Box Size mm W x L x D	Filter Size mm W x L x D	Weight kg
HBPYT150SDH-0335-0335-500	Electrostatic Painted DKP Metal	0335-0335-400	0305-0305-110 / 150	10.00
HBPYT150SDH-0335-0640-500		0335-0640-400	0305-0610-110 / 150	15.00
HBPYT150SDH-0485-0485-500		0485-0485-400	0457-0457-110 / 150	15.50
HBPYT150SDH-0640-0640-500		0640-0640-400	0610-0610-110 / 150	22.00

Code	Material Type	Hepa Box Size mm W x L x D	Filter Size mm W x L x D	Weight kg
HBPYT150SDH-0335-0335-600	Electrostatic Painted DKP Metal	0335-0335-550	0287-0287-292	11.00
HBPYT150SDH-0335-0640-600		0335-0640-550	0287-0592-292	16.00
HBPYT150SDH-0485-0485-600		0485-0485-550	0490-0592-292	16.50
HBPYT150SDH-0640-0640-600		0640-0640-550	0592-0592-292	23.00